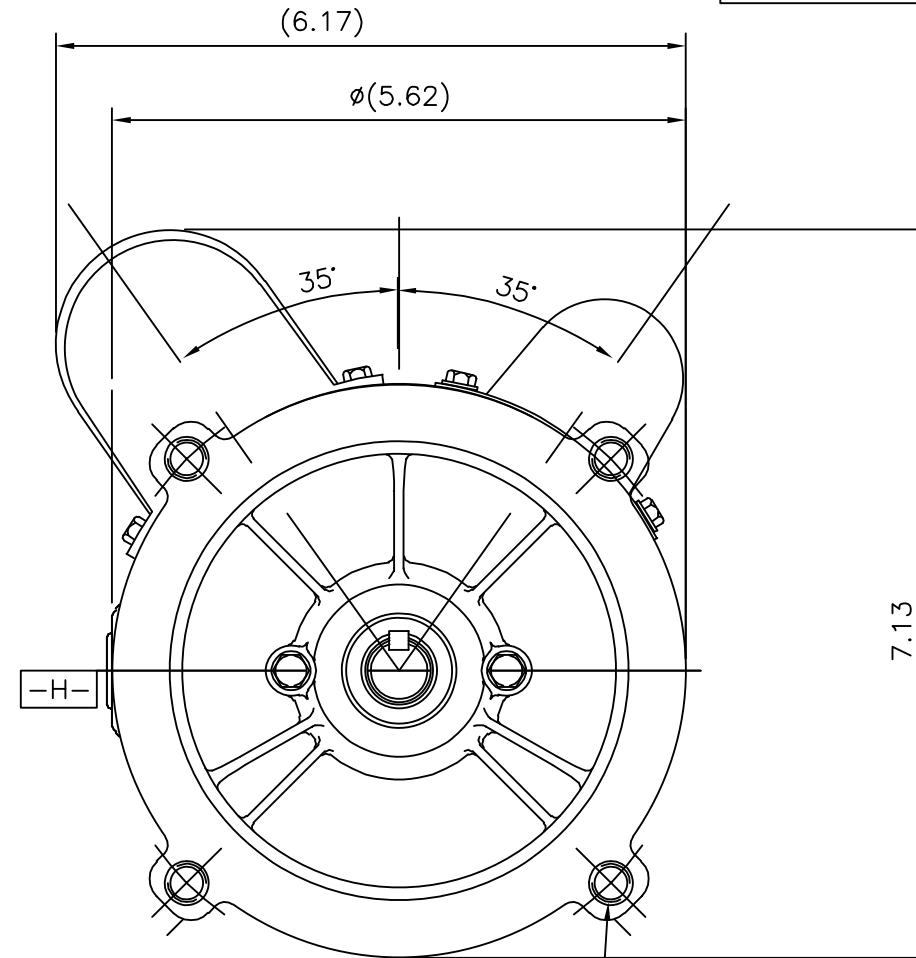
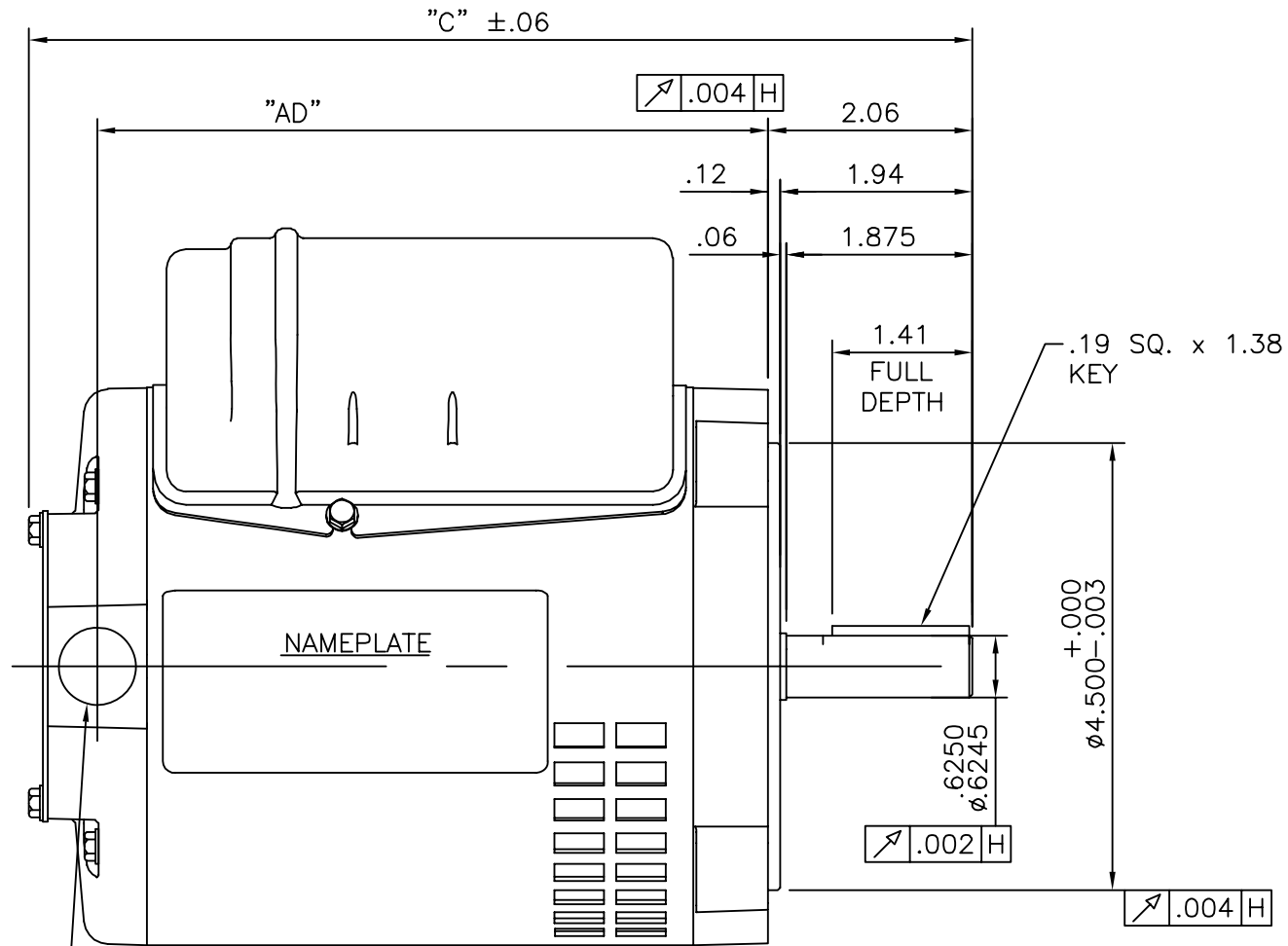


SS404121



1/2-14 NPT
CONDUIT HOLE
(PLUGGED)

DASH NO.	"C"	"AD"
550	9.49	6.75
575	9.74	7.00
600	9.99	7.25
625	10.24	7.50
650	10.49	7.75
675	10.74	8.00
700	10.99	8.25
725	11.24	8.50
750	11.49	8.75

3/8-16 UNC 2B TAP x .56 DEEP
(4) REQ'D. ON A ø5.875 B.C.

TOLERANCES
UNLESS SPECIFIED

DEC.	INCHES
.X	±.1
.XX	±.03
.XXX	±.005
.XXXX	±.0005
ANG	±7'30"



Regal Beloit America, Inc.

TITLE OUTLINE
S56 FRAME ROUND MOUNT - DRIP PROOF

DRAWN	SM 12/03/2014
CHK	SM 12/03/2014
APPD	
SCALE	NTS
REF	SS404120
FMF	
PREV	

A CREATED NEW DRAWING

SM 12/03/2014

SM .XXXX ±.0005

MAT'L.

FMF

NO. REVISION

BY & DATE

CHK ANG ±7'30"

FINISH

PREV

THIS DRAWING IN DESIGN AND DETAIL IS OUR PROPERTY AND MUST NOT BE USED EXCEPT
IN CONNECTION WITH OUR WORK ALL RIGHTS OF DESIGN AND INVENTION ARE RESERVED
THIS IS AN ELECTRONICALLY GENERATED DOCUMENT - DO NOT SCALE THIS PRINT

RFP
DIST WP

CAD FILE SS404121

SIZE
A

DRAWING NO. PAGE 1 OF 1
SS404121

REV.
A